

## TECHNICAL SPECIFICATION

### Rotary switches LW26-S



#### Description:

The rotary switches LW26 series are produced for switching on/off electrical circuits with commutated current from 20 to 160A. They are designed on the bases of the rotor-eccentric switching on which is realized through turning of the handle to 60 or 90 degrees. The normal operation is used for commutation of two, three or four conductor systems. There are special rotary switches that switch on under given connection schemes and are used to control motors, electric welding machines and other consumers.

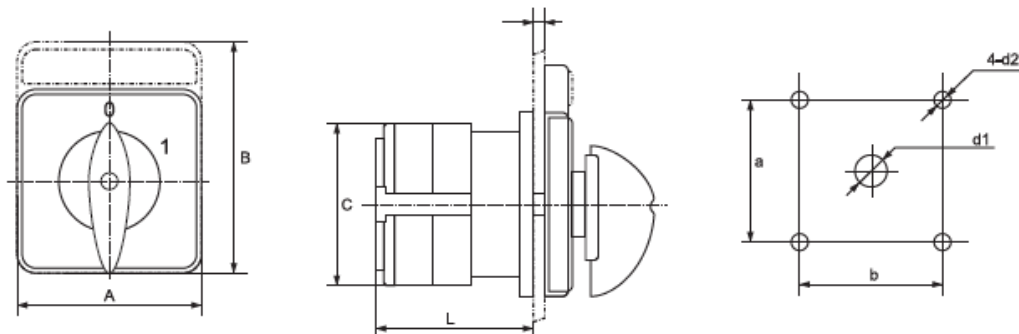
#### Technical data:

- Power supply voltage: 230/400V, 50Hz
- Number of levels: 4
- Number of positions: 3
- Insulation voltage: 690V
- Impulse voltage withstand: 6000V
- Mechanical wear resistance:  $3 \times 10^5$  commutation cycles
- Operating temperature:  $-10^{\circ}\text{C}$  -  $+50^{\circ}\text{C}$
- Humidity: 35 - 85%RH
- Commutation capacity: 25-160A
- Resistant to UV rays plastic
- Cable connection: screw joining
- Maximum section of the power supply conductors:  $16.0\text{mm}^2$

### Mounting:

- directly to the control panel
- thickness of the surface to which it is mounted: max 5mm

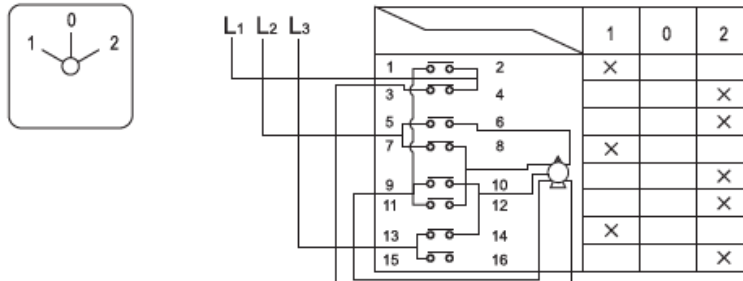
### Dimensions:



Type	Front panel	Joining conductor (mm <sup>2</sup> )	Overall dimensions (mm)				Mounting dimensions (mm)			
			A	B	C	L	a	b	d1	d2
LW26-25	M1 panel	1x4.0	48	48	45.2	23+12.8n	36	36	Ø8.5	Ø4.5
LW26-63	M2 panel	1x16	64	64	66	29.2+21.5n	48	48	Ø10	Ø4.5
LW26-125	M3 panel	1x35	88	88	84	35+26.5n	68	68	Ø13	Ø6
LW26-160	M3 panel	1x50	88	88	88	35+32.5n	68	68	Ø13	Ø6

\*n – number of modules

**Variants:**



Type	Scheme	In (A)	Levels	Packing / Box (pcs)	Catalogue number
LW26-25S	S19	25	4	1 / 100	492253
LW26-63S	3-position – 2 start position and 1 stop; for two speed motor control; switching over between charging*	63	4	1 / 48	492633
LW26-125S		125	4	1 / 24	492953
LW26-160S		160	4	1 / 18	492963

**\*Note:** It is necessary that additional bridges be placed at switching over between charging

**Standards**

EN 60947-1

EN 60947-3-1

